

Sealed-Clean Spherical Roller Bearings

NSK New Series

Special Grease

- Excellent long life grease against heat and pressure resistance
- ““Emalube 8030”” as NSK standard grease

Special Seal

- Nitrile rubber lip seals with springs whose direction is outside from bearings
- Seals with peripheral bead to prevent coming off from bearings

Special Chamfer

Smooth axial movement of bearings on free end side by adoption of special chamfer & unique design on periphery

Uniform Contact between Rollers and Raceway Surface

To prevent unusual edge loads between rollers and raceway surfaces under heavy load condition by using symmetrical rollers



High Reliable Material

Achievement of longer life by using super-clean vacuum degassed steel

High Reliability

- Drastic improvement of sealing function by adoption of special seals to prevent unexpected accidents
- Keeping same bearing capacities as opened types to add width of seal space.
(Width of sealed type) = (Width of opened type) + (Seal width: 16mm)

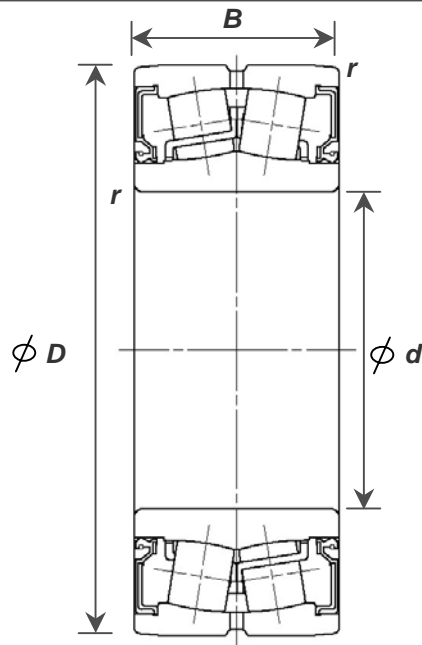
Reduced Maintenance Costs

- Reduction of maintenance cost by grease consumption and high effective operation by long term maintenance-free

Eco-Friendly

- Clean and no contamination around the equipment by no grease leakage

• Dimension Table of Sealed-Clean Spherical Roller Bearings



Bearing Number	Boundary Dimensions (mm)				Basic Load Ratines (N)		Limiting Speed (ni n ⁻¹)
	d	D	B	r (ni n)	Cr	Cor	
50SLE19075DDE4	50	90	39	1.1	99000	119000	2600
50SLE1175DDE4	50	110	56	2	197000	234000	2400
55SLE1075DDE4	55	100	41	1.5	119000	144000	2400
55SLE1275DDE4	55	120	59	2	234000	292000	2200
60SLE1175DDE4	60	110	44	1.5	142000	174000	2200
60SLE1375DDE4	60	130	62	2.1	271000	340000	2000
65SLE1275DDE4	65	120	47	1.5	177000	230000	2000
65SLE1475DDE4	65	140	64	2.1	300000	380000	2000
70SLE1275DDE4	70	125	47	1.5	180000	232000	1900
70SLE1575DDE4	70	150	67	2.1	340000	435000	1700
75SLE1375DDE4	75	130	47	1.5	190000	244000	1800
75SLE1675DDE4	75	160	71	2.1	390000	505000	1700
80SLE1475DDE4	80	140	49	2	212000	275000	1600
80SLE1775DDE4	80	170	74	2.1	435000	565000	1500
85SLE1575DDE4	85	150	52	2	250000	325000	1600
85SLE1875DDE4	85	180	76	3	480000	630000	1500
90SLE1675DDE4	90	160	56	2	289000	395000	1500
90SLE1636DDE4	90	160	68	2	340000	490000	1500
90SLE1975DDE4	90	190	80	3	535000	705000	1400
95SLE1775DDE4	95	170	59	2.1	330000	450000	1400
95SLE1766DDE4	95	170	72	2.1	370000	525000	1400
95SLE2075DDE4	95	200	83	3	590000	780000	1300
100SLE1525DDE4	100	150	53	1.5	212000	335000	1400
100SLE1536DDE4	100	150	66	1.5	276000	470000	1400
100SLE1635DDE4	100	165	68	2	345000	530000	1400

Bearing Number	Boundary Dimensions (mm)				Basic Load Ratines (N)		Limiting Speed (ni n ⁻¹)
	d	D	B	r (ni n)	Cr	Cor	
100SLE1666DDE4	100	165	81	2	345000	535000	1400
100SLE1875DDE4	100	180	62	2.1	365000	490000	1300
100SLE1836DDE4	100	180	76	2.1	420000	605000	1300
100SLE2175DDE4	100	215	89	3	690000	930000	1200
110SLE1725DDE4	110	170	61	2	293000	465000	1300
110SLE1736DDE4	110	170	76	2	380000	645000	1300
110SLE1835DDE4	110	180	72	2	385000	630000	1300
110SLE1836DDE4	110	180	85	2	460000	750000	1300
110SLE2075DDE4	110	200	69	2.1	485000	645000	1200
110SLE2036DDE4	110	200	86	2.1	515000	760000	1200
110SLE2475DDE4	110	240	96	3	825000	1120000	1100
120SLE1825DDE4	120	180	62	2	315000	525000	1100
120SLE1836DDE4	120	180	76	2	395000	705000	1100
120SLE2035DDE4	120	200	78	2	465000	720000	1100
120SLE2036DDE4	120	200	96	2	575000	950000	1100
120SLE2175DDE4	120	215	74	2.1	550000	765000	1100
120SLE2136DDE4	120	215	92	2.1	630000	970000	1100
120SLE2675DDE4	120	260	102	3	955000	1320000	1000
130SLE2025DDE4	130	200	66	2	400000	655000	1000
130SLE2036DDE4	130	200	85	2	495000	865000	1100
130SLE2135DDE4	130	210	80	2	505000	825000	1000
130SLE2136DDE4	130	210	96	2	590000	1010000	1000
130SLE2375DDE4	130	230	80	3	655000	940000	1000
130SLE2336DDE4	130	230	96	3	700000	1080000	1000
130SLE2835DDE4	130	280	109	4	995000	1350000	950

• Limiting Speed: Calculated based on lip speed 8m/sec.

Notes: • Permissible misalignment: less than 0.5°
• Operating temperature: less than 80 C°

For more information about NSK products, please contact:



Nomo Kullager AB
Box 510
183 25 TÄBY
08-630 28 00

www.nomo.se
nomo@nomo.se

